

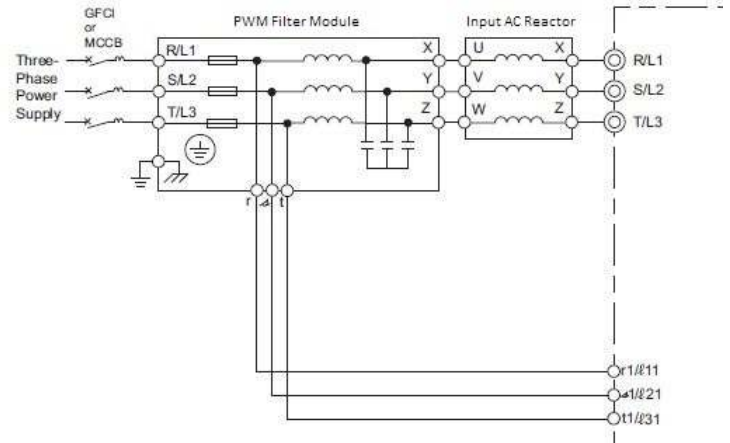
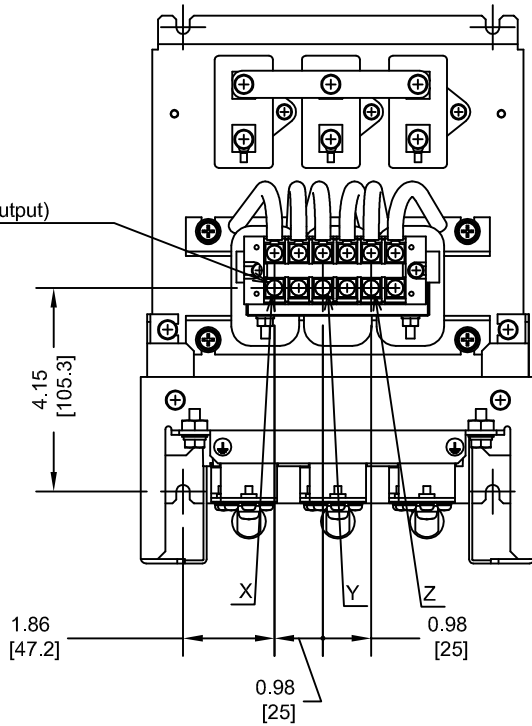
PART #	DESCRIPTION	VOLTAGE (VAC)	CURRENT (A)	WEIGHT LBS (Kg)	HEAT LOSS (W)
UF1000357	EUJ71088X	380/480	8	15.4 (7.0)	37

TOLERANCES / REFERENCES:		<p>YASKAWA</p> <p>THIS DOCUMENT AND INFORMATION CONTAINED IN IT ARE CONFIDENTIAL, AND CANNOT BE COPIED OR DISCLOSED IN WHOLE OR IN PART WITHOUT THE EXPRESS WRITTEN CONSENT OF YASKAWA AMERICA, INC.</p>	DRAWN: J. MATTAS CHECKED: J. PIOTROWSKI TECH: J. BORJA APPROVED: J. CAIRO ORIGINAL DESIGN: -	DATE 7-28-14 DATE 7-30-14 DATE 7-31-14 DATE 9-23-14 DATE -	TITLE: D1000 PWM FILTER MODULE DIMENSION DRAWING UF1000357
UNITS: IN [mm]	SCALE: 1: 4		SIZE A	REVISION R00	PAGE 1 of 2
			DRAWING #: DD.UF1000357		

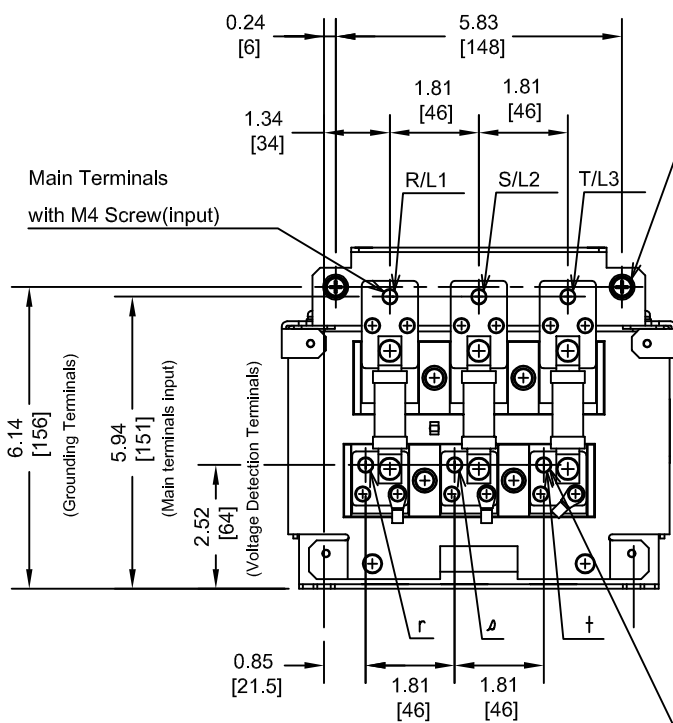
TERMINAL DETAILS
(FRONT COVER AND TOP COVER REMOVED)

ELECTRICAL DIAGRAM

Main terminals
with M4 Screw (output)



Main Terminals
with M4 Screw (input)



Grounding Terminals
with M6 screw

Grounding Terminals
1.15 [29.3]

Main terminals input

Voltage Detection Terminals
with M4 Screw

Main terminals output

0.21 [5.3]
Voltage Detection Terminals

6.06 [154]
(Main terminals output)

TOLERANCES / REFERENCES:



THIS DOCUMENT AND INFORMATION CONTAINED
IN IT ARE CONFIDENTIAL, AND CANNOT BE
COPIED OR DISCLOSED IN WHOLE OR IN PART
WITHOUT THE EXPRESS WRITTEN CONSENT
OF YASKAWA AMERICA, INC.

DRAWN:
J. MATTAS

CHECKED:
J. PIOTROWSKI

TECH:
J. BORJA

APPROVED:
J. CAIRO

ORIGINAL DESIGN:
-

DATE
7-28-14

DATE
7-30-14

DATE
7-31-14

DATE
9-23-14

DATE
-

TITLE:
D1000 PWM FILTER MODULE
DIMENSION DRAWING
UF1000357

SIZE A	REVISION R00	PAGE 2 of 2
-----------	-----------------	----------------

DRAWING #:
DD.UF1000357

UNITS:
IN [mm]

SCALE:
1:4